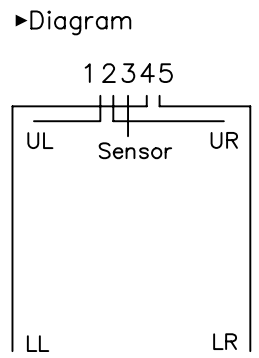


NOTE

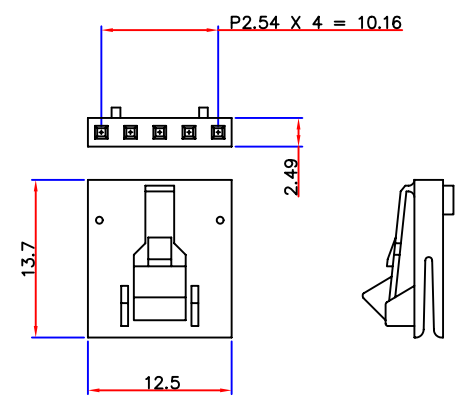
- Panel Type
 - Resistive(5wire) □ EST
- Thickness (Glass)
 - 1.4 (1.1) ■ 2.1 (1.8) □ 3.3 (3.0)
- Film Type
 - Clear ■ Non-glare ■ Anti Newton's Rings
- Transmittance
 - 80% (Typical)
- Terminal
 - Signal



PIN	SIGNAL
1	UL
2	UR
3	Sensor
4	LL
5	LR

Connector (Not to Scale)

HOUSING	AMP P/N 487526-4	PIN (5X)	AMP P/N 487406-1
---------	------------------	----------	------------------



REV.	DATE	DESCRIPTION

SCALE	1/1	DATE	2003.06.15	DRAW. NO	5W-121B-01
SIZE	A4	DESIG'D	S. D. KIM	PRODUT NO.	5W-121B
UNIT	MM	CHK'D	-		
STD.TOL	±0.3	APP'D	J. Y. PARK		