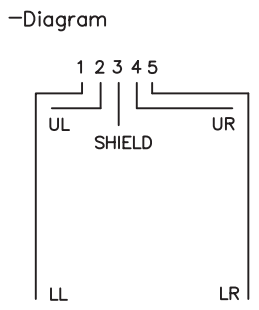


NOTE

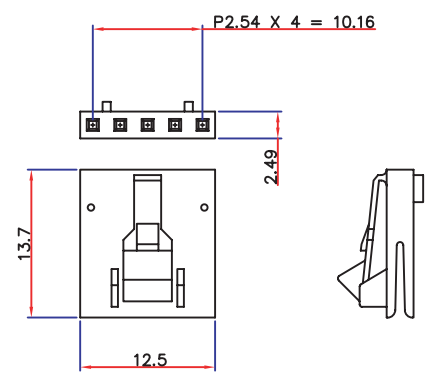
- Panel Type
 - Resistive
 - EST Capacitive
- Thickness (Glass)
 - Max 3.6 (3.0±0.5)
- Glass Surface Finish Type
 - Clear
 - Non-Glare
- Transmittance
 - Typical 85%
- Terminal
 - Signal

| PIN | SIGNAL |
|-----|--------|
| 1 | LL |
| 2 | UL |
| 3 | SHIELD |
| 4 | UR |
| 5 | LR |



Detail Connector (Scale= 6/1)

| | | | |
|---------|------------------|----------|------------------|
| HOUSING | AMP P/N 487526-4 | PIN (5X) | AMP P/N 487406-1 |
|---------|------------------|----------|------------------|



| REV. | DATE | DESCRIPTION | BY/APP'D |
|------|-----------|--|-----------|
| 05 | '06.11.03 | Added Arrow Line | S.H./J.Y. |
| 04 | '06.11.02 | Entered Glue Size | S.H./J.Y. |
| 03 | '06.10.31 | Modified Tolerance | S.H./J.Y. |
| 02 | '05.05.30 | Changed V/A (344.3*281 -> 339.5*279.2) | S.D./J.Y. |
| 01 | '04.09.16 | NEW RELEASE | S.D./J.Y. |

| | | | | |
|------------------------|---------|------|---------|------------|
| FFC NO. | SCALE | 1/1 | DATE | 2006.11.03 |
| | SIZE | A4 | DESIG'D | S. H. KIM |
| THIRD ANGLE PROJECTION | UNIT | MM | CHK'D | - |
| | STD.TOL | ±0.5 | APP'D | J. Y. PARK |

| | |
|-----------------|-------------|
| DRAW. NO | EST-170B-05 |
| PRODUCT NO. | EST-170B |
| TouchTEK | |

NOTICE OF PROPRIETARY PROPERTY
 THIS DOCUMENT CONTAINS CONFIDENTIAL AND PROPRIETARY INFORMATION OF Digitech Systems co., Ltd. AND NEITHER IT NOR THE INFORMATION CONTAINED THEREIN SHALL BE DISCLOSED TO OTHERS OR DUPLICATED OR USED FOR OTHERS WITHOUT THE EXPRESS WRITTEN CONSENT OF Digitech Systems co., Ltd.