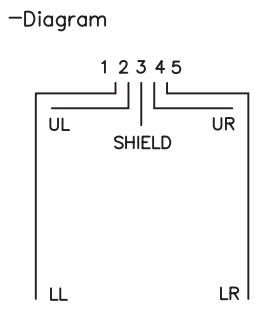


# NOTE

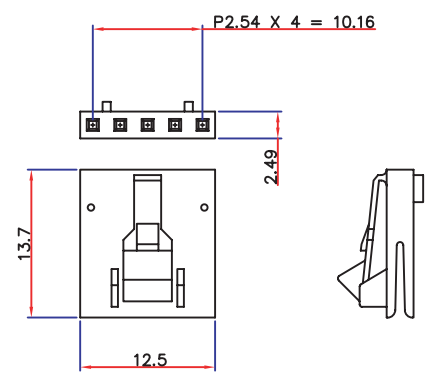
- Panel Type  
 Resistive     EST Capacitive
- Thickness (Glass)  
 Max 3.6 (3.0±0.5)
- Glass Surface Finish Type  
 Clear     Non-Glare
- Transmittance  
 Typical 85%
- Terminal  
 -Signal

PIN	SIGNAL
1	LL
2	UL
3	SHIELD
4	UR
5	LR



## Detail Connector (Scale= 6/1)

HOUSING	AMP P/N 487526-4	PIN (5X)	AMP P/N 487406-1
---------	------------------	----------	------------------



REV.	DATE	DESCRIPTION	BY/APP'D
07	'07.08.20	NEW RELEASE(Changed Connector direction : EST-190B-06)	H.B./J.Y.
06	'06.11.03	Added Arrow Line	S.H./J.Y.

FFC NO.	SCALE	1/1	DATE	2007.08.20
FF291D15-01	SIZE	A4	DESIG'D	H. B . LEE
THIRD ANGLE PROJECTION	UNIT	MM	CHK'D	-
	STD.TOL	±0.5	APP'D	J. Y. PARK

DRAW. NO	EST-190B-07
PRODUCT NO.	EST-190B

**NOTICE OF PROPRIETARY PROPERTY**  
 THIS DOCUMENT CONTAINS CONFIDENTIAL AND PROPRIETARY INFORMATION OF Digitech Systems co., Ltd. AND NEITHER IT NOR THE INFORMATION CONTAINED THEREIN SHALL BE DISCLOSED TO OTHERS OR DUPLICATED OR USED FOR OTHERS WITHOUT THE EXPRESS WRITTEN CONSENT OF Digitech Systems co., Ltd.