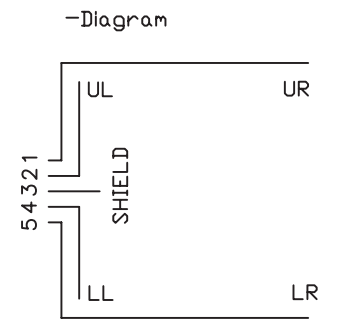


NOTE

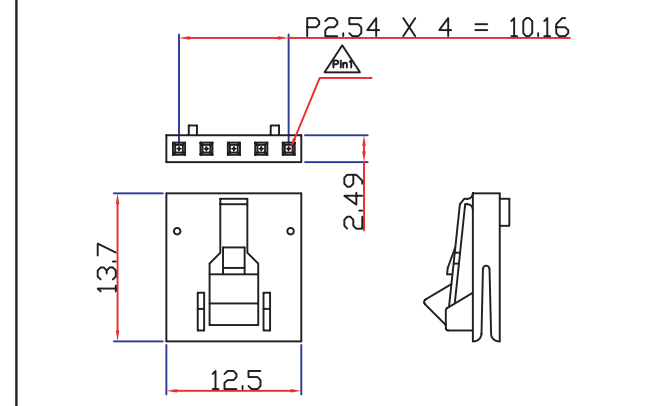
- Panel Type
 Resistive EST Capacitive
- Thickness (Glass)
 Max 3.6 (3.0)
- Glass Surface Finish Type
 Clear Non-Glare
- Transmittance
 Typical 85%
- Terminal
 -Signal

PIN	SIGNAL
1	UR
2	UL
3	SHIELD
4	LL
5	LR



Detail Connector (Scale= 6/1)

HOUSING	AMP P/N 487526-4	PIN (5X)	AMP P/N 487406-1
---------	------------------	----------	------------------



NOTICE OF PROPRIETARY PROPERTY
 THIS DOCUMENT CONTAINS CONFIDENTIAL AND PROPRIETARY INFORMATION OF Digitech Systems co., Ltd. AND NEITHER IT NOR THE INFORMATION CONTAINED THEREIN SHALL BE DISCLOSED TO OTHERS OR DUPLICATED OR USED FOR OTHERS WITHOUT THE EXPRESS WRITTEN CONSENT OF Digitech Systems co., Ltd.

REV.	DATE	DESCRIPTION	BY/APP'D
01	'07.09.04	NEW RELEASE	H.B./J.Y.

FFC NO.	SCALE	1/1	DATE	2007.09.04
FF291D15-02	SIZE	A4	DESIG'D	H. B. LEE
THIRD ANGLE PROJECTION	UNIT	MM	CHK'D	-
	STD.TOL	±0.5	APP'D	J. Y. PARK

DRAW. NO
EST-201C-01

PRODUCT NO.
EST-201C