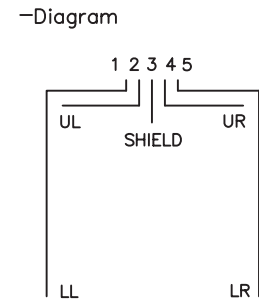


# NOTE

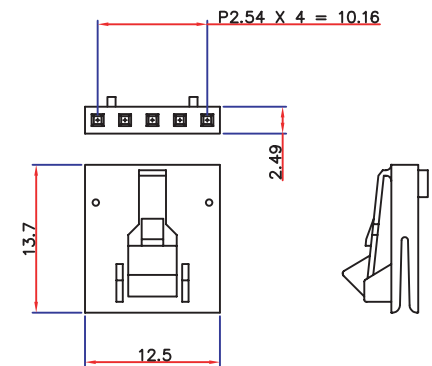
- Panel Type  
 Resistive     EST Capacitive
- Thickness (Panel)  
 Max 7.0 (6.5)
- Glass Surface Finish Type  
 Clear     Non-Glare
- Transmittance  
 Typical 85%
- Terminal  
 -Signal

PIN	SIGNAL
1	LL
2	UL
3	SHIELD
4	UR
5	LR



## Detail Connector (Scale= 6/1)

HOUSING	AMP P/N 487526-4	PIN (5X)	AMP P/N 487406-1
---------	------------------	----------	------------------



NOTICE OF PROPRIETARY PROPERTY THIS DOCUMENT CONTAINS CONFIDENTIAL AND PROPRIETARY INFORMATION OF Digitech Systems co., Ltd. AND NEITHER IT NOR THE INFORMATION CONTAINED THEREIN SHALL BE DISCLOSED TO OTHERS OR DUPLICATED OR USED FOR OTHERS WITHOUT THE EXPRESS WRITTEN CONSENT OF Digitech Systems co., Ltd.							
	01	'06.05.04	NEW RELEASE	S.H./J.Y.	FFC NO.	FF291D15-01	
	REV.	DATE	DESCRIPTION	BY/APP'D	THIRD ANGLE PROJECTION	UNIT	MM
					STD.TOL	±0.5	APP'D

SCALE	1/1	DATE	2006.05.04	DRAW. NO	ETUFF-190A-01
SIZE	A4	DESIG'D	S. H. KIM	PRODUCT NO.	ETUFF-190A
UNIT	MM	CHK'D	-		
APP'D	J. Y. PARK				