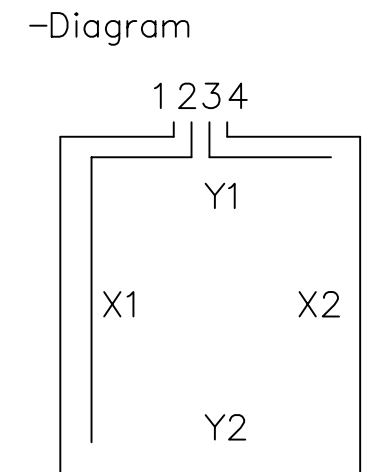


NOTE

- Panel Type
 Resistive EST
- Thickness (Glass)
 0.95 (0.7) 1.35 (1.1) 2.05 (1.8)
- Film Type
 Clear Non-glare Anti Newton's Rings
- Transmittance
 80% (Typical)
- Terminal

-Signal

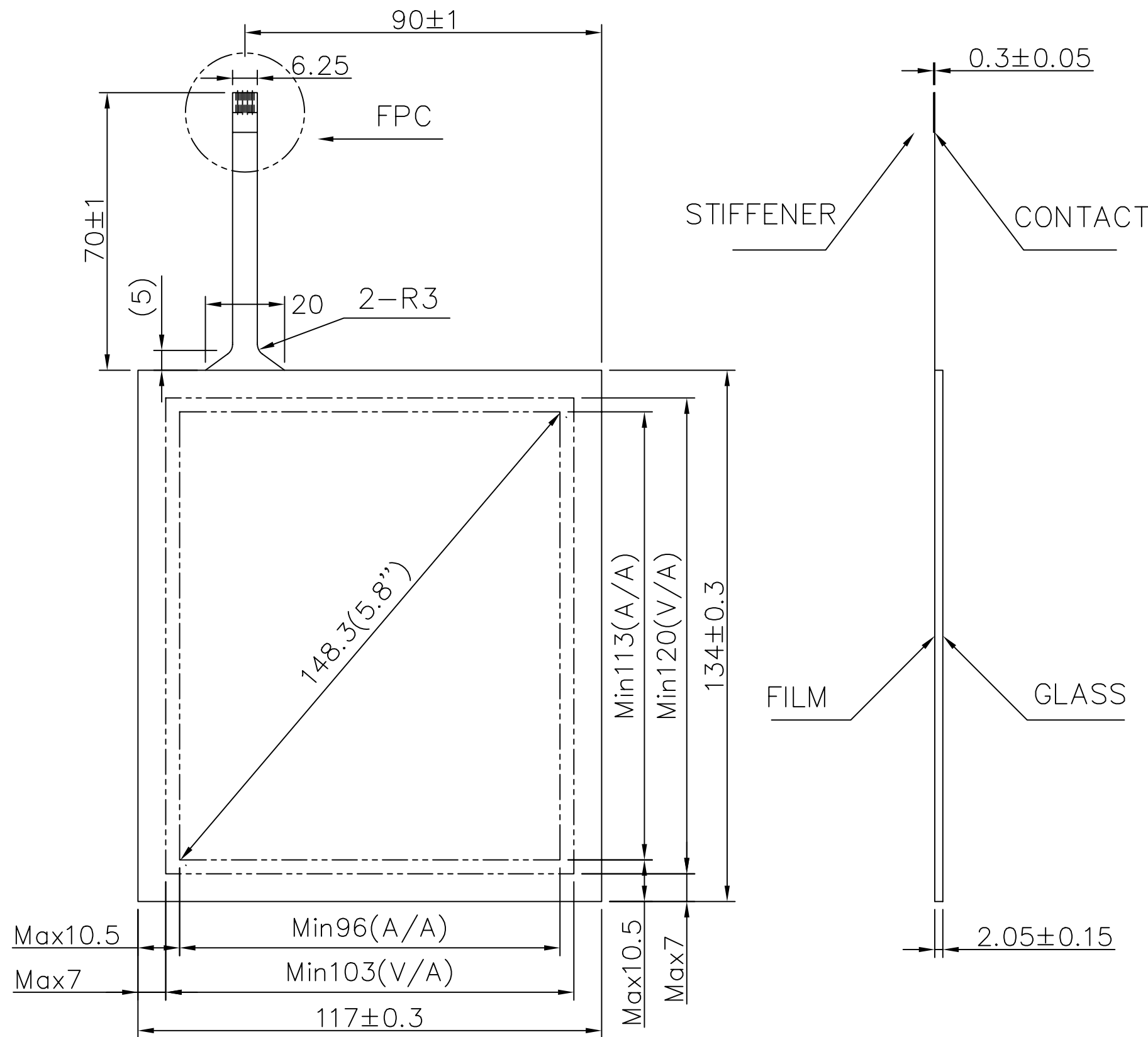
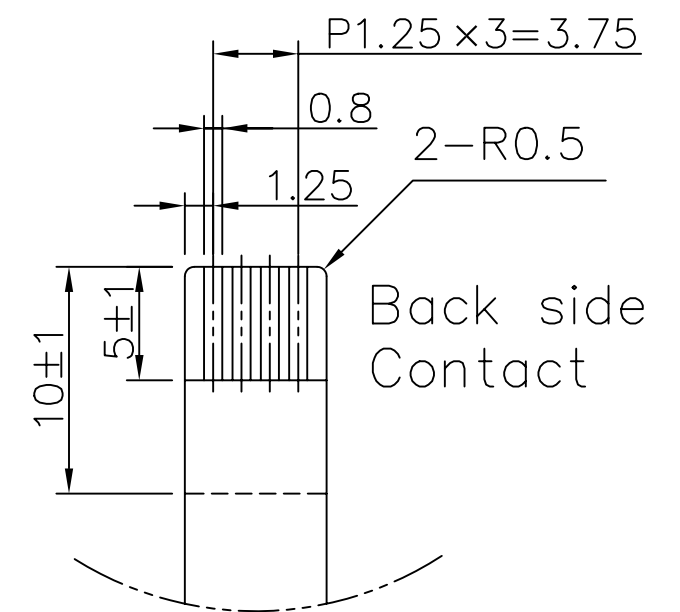
PIN	SIGNAL
1	Y2
2	X1
3	Y1
4	X2



-Resistance

$200\ \Omega < X < 900\ \Omega$
$200\ \Omega < Y < 900\ \Omega$

FPC (SCALE 3/1)



REV.	DATE	DESCRIPTION

SCALE	1/1	DATE	2002.11.01	DRAW. NO	TP-058AG-AP01B [F803A-02]
SIZE	A4	DESIG'D	-	PRODUT NO.	TP-058AG [F803A]
UNIT	MM	CHK'D	-	TouchTEK Corporation	
STD.TOL	±0.2	APP'D	-		