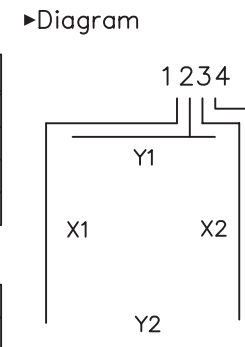


NOTE

- Panel Type
Resistive EST
- Thickness (Glass)
0.95 (0.7) 1.35 (1.1) 2.05 (1.8)
- Film Type
Clear Non-glare
- Transmittance
80%(Typical)
- Terminal

►Signal

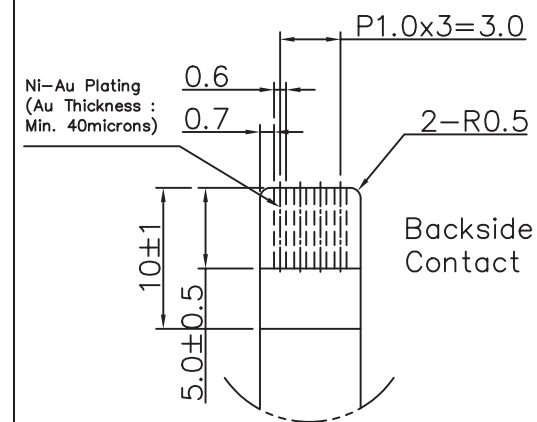
PIN	SIGNAL
1	X1
2	Y1
3	X2
4	Y2



►Resistance

$200\Omega < X < 900\Omega$
$200\Omega < Y < 900\Omega$

FPC (SCALE 8/1)



SCALE	1/1	DATE	2001.12.05	DRAW. NO	1402-D1A-01
SIZE	A4	DESIG'D	S. D. KIM	PRODUCT NO.	TP-084AG
UNIT	MM	CHK'D	-		
STD.TOL	±0.2	APP'D	J. Y. PARK		

REV.	DATE	DESCRIPTION